

CERAMIC

KITCHEN

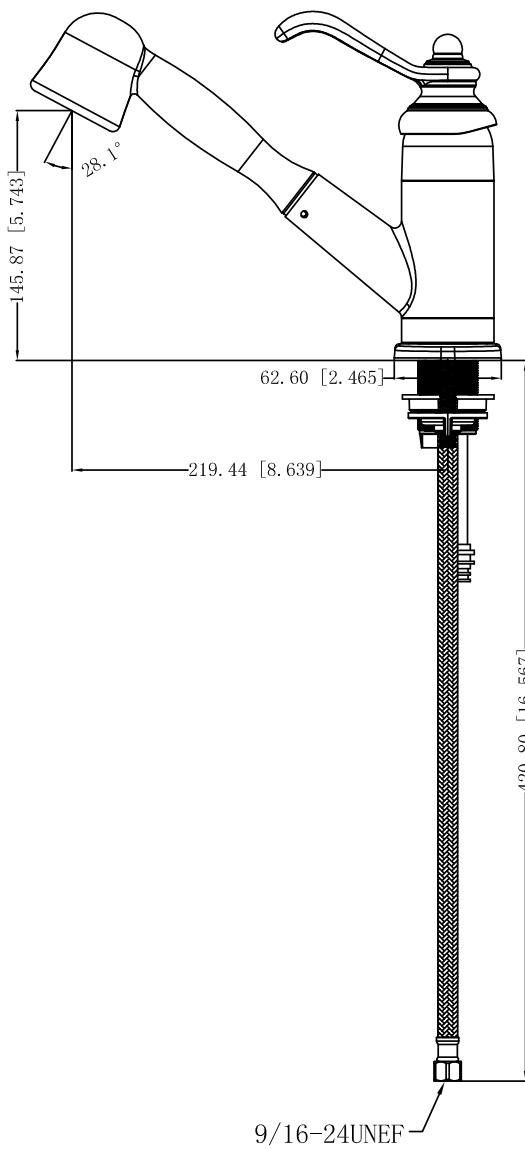
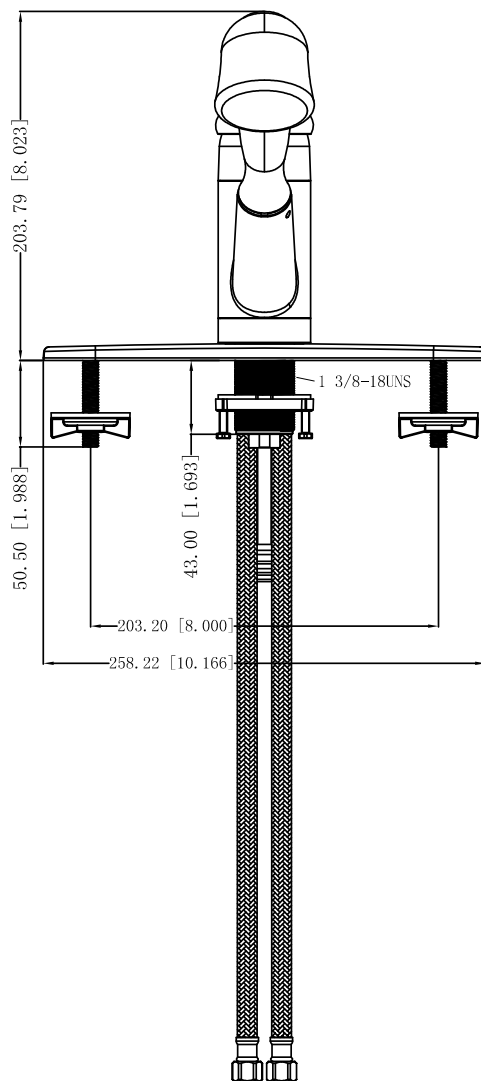
Features:

- Single Metal Handle
- Ceramic Cartridge
- Max Flow Rate 2.0GPM(7.5LPM) at 60 PSI(ASME.A112.18.1M)



651472

Oil Rubbed Bronze



APPROVAL

Meets or Exceeds The following

*ANSI/ASME A112.18.1M

*ANSI/NSF 61-Sec.9

*IAPMO/UPC



CERAMIC

KITCHEN

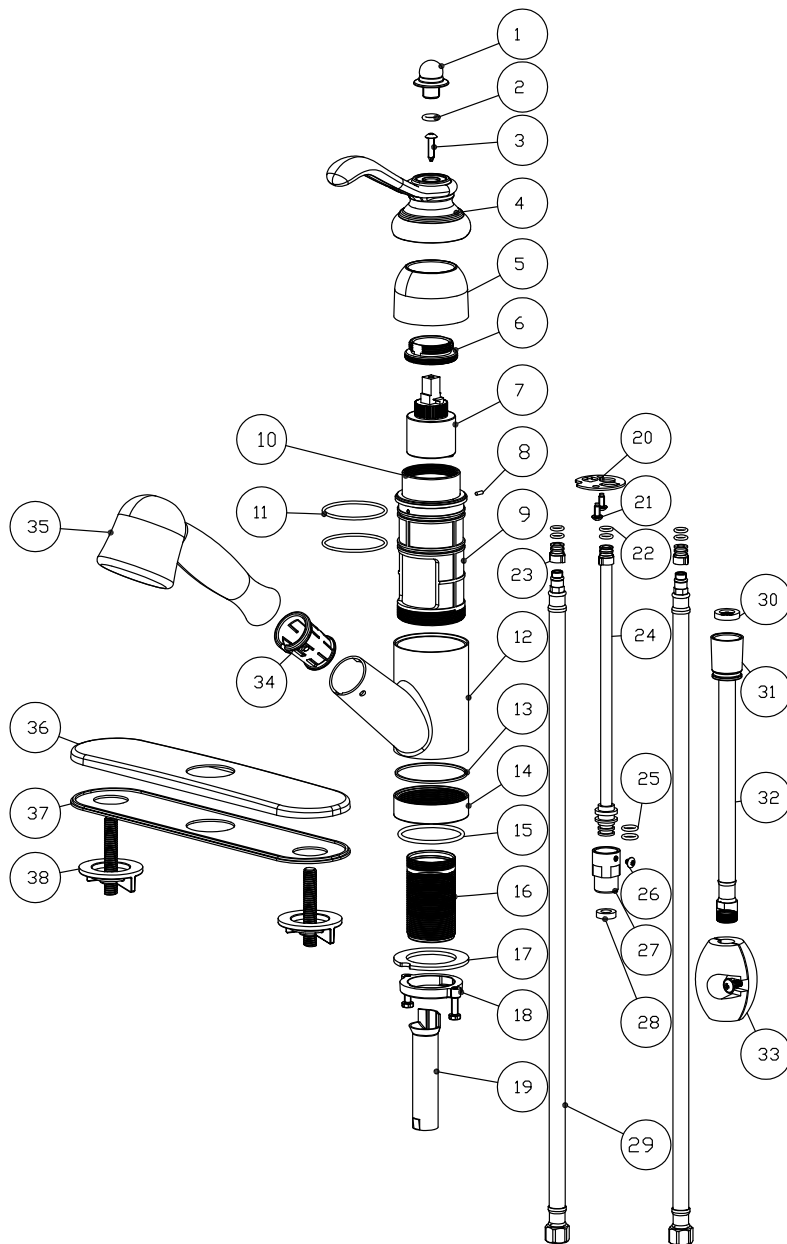
Features:

- Single Metal Handle
- Ceramic Cartridge
- Max Flow Rate 2.0GPM(7.5LPM) at 60 PSI(ASME.A112.18.1M)



651472

Oil Rubbed Bronze



No.	Component Description
1	Handle Cap
2	O-ring
3	Screw
4	Handle
5	Dome Nut
6	Adjustment Nut
7	Cartridge
8	Screw
9	Waterway
10	Mixer
11	Washer
12	Water Spout
13	Gasket
14	Collar
15	O-ring
16	Shank
17	Iron Gasket
18	Lock Ring
19	Sleeve
20	Fixing Clip
21	Screw
22	O-ring
23	Copper Tube Connector
24	Copper Tube
25	O-ring
26	Screw
27	Connector
28	Seat
29	Copper Tube
30	Seat
31	Shower Hose Connector
32	Shower Hose
33	Counter Weight
34	Spout Sleeve
35	Pull Out Spray
36	Cover Plate
37	Bottom Plate
38	Fixing Nut&Stud

APPROVAL

Meets or Exceeds The following

*ANSI/ASME A112.18.1M

*ANSI/NSF 61-Sec.9

*IAPMO/UPC

